

RECOMMENDED SPARE PARTS ☒

LIST OF PARTS						
PT. NO.	REQ.	NAME OF PART	DWG. NO.	PATT. NO.	MATERIAL	REMARKS
1	1	SHAFT	C-25678 C-25935		STEEL	
3	1	THRUST BEARING (2 PCS)				*7321 MG
4	1	RADIAL BEARING				*5221
7	2	GARLOCK KLOZURE				*2519
12	1	SHAFT SLEEVE	C-21270 C-22632		504 1/2 CERAMIC	
13	1	LANTERN RING	B-16750	13-149	CAST IRON	
14	1	PACKING GLAND	D-20152	14-231	CAST IRON	
34	1	THRUST BRG. HOUSING	B-23398	34-258	CAST IRON	
35	1	THRUST BRG. COVER	B-23398	35-299	CAST IRON	
39	1	BASE	A-21273		STEEL	
46	1	TOP HALF CASING	A-25098	46-1021	CAST IRON	
47	1	BOTTOM HALF CASING	A-25098	47-1021	CAST IRON	
48	1	CASING LINER	A-20969		REFRAX	
49	1	SUCTION DISC LINER	B-21861 B-20965	ADAPTOR	REFRAX	
50	1	HUB DISC LINER	B-20965		REFRAX	
51	1	SUCTION DISC	B-21861 B-20965	51-138	CAST IRON	
52	1	HUB DISC	B-20965	52-111	CAST IRON	
64	1	IMPELLER	B-25857 B-25857	64-748 64-744	3% NI C.I.	HAYDEN SPRAY #2
70	1	BEARING FRAME	A-25879	70-11518	CAST IRON	
82	1	SLINGER	C-29473 J	82-114	CAST IRON	1/16
99	1	SUCTION ADAPTOR	B-21861		STEEL	
351	1	RADIAL BRG. SUPPORT	B-21271	35-2241	CAST IRON	
09	2	LOCKNUT & WASHER				AN214 W21
OR	1	O' RING			BUNA - N	*2-450
ORI	2	O' RING			PURE GUM RUBBER	
SM		SHIM			STEEL	
0	1	CRENLO BREATHER				*14392 AL
TO	1	TRICO OILER				EH8-88
P	5	PACKING				J.M. 225
G-1	1	GASKET				J.M. #60
G-2	1	GASKET				J.M. #60
G-3	2	GASKET				J.M. #60

NOTES:

- OIL SLOT IN THRUST BEARING COVER PT. NO. 35 MUST BE LOCATED AT THE BOTTOM OF THE BEARING FRAME PT. NO. 70
 - OIL SLOT IN THRUST BEARING HOUSING PT. NO. 34 MUST BE LOCATED AT THE BOTTOM OF THE BEARING FRAME PT. NO. 70 AND MUST MATCH UP WITH THE OIL SLOT IN THE THRUST BEARING COVER PT. NO. 35
- ▲ PUMP INDICATED WERE FURNISHED WITH NO SUB-BASE, BELT GUARD V-BELT DRIVE OR MOTOR

▲ 54140	01773-711-2	SPARE PUMP
▲ 54139	01773-711-2	SPARE PUMP
▲ 54138	01773-711-2	SPARE PUMP
▲ 54137	01773-711-2	SPARE PUMP
48537-1	11041AX8	6 2
48537	11041AX8	6 1
48536-1	11041AX8	2 2
48536	11041AX8	2 1
48535-1	11041AX8	1 2
48535	11041AX8	1 1
48534-1	11041AX8	3 2
48534	11041AX8	3 1
48533-1	11041AX8	5 2
48533	11041AX8	5 1
48532-1	11041AX8	4 2
48532	11041AX8	4 1

NO.	DATE	BY	DESCRIPTION
2	8-6-76	W.R.C.	REDRAWN FROM 10-30-72
1	11-6-72	E.S.	NOTES ADDED

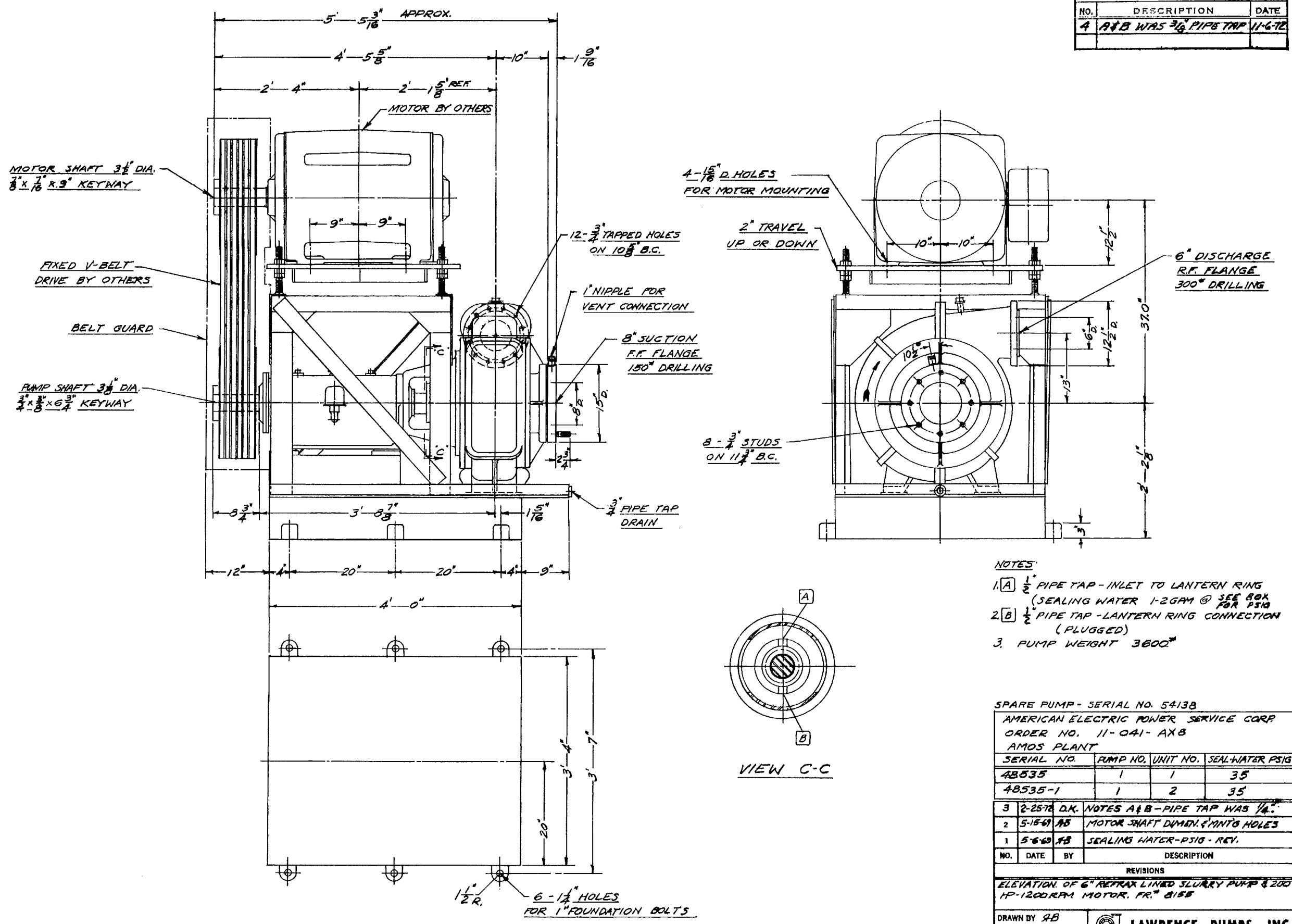
REVISIONS

PUMP SERIAL NO.	ORDER NO.	PUMP NO.	UNIT NO.
ASSEMBLY & PARTS LIST OF 6" REFRAX LINED SLURRY PUMP			
CUSTOMER: AMERICAN ELECTRIC POWER SERVICE CORPORATION AMOS PLANT			

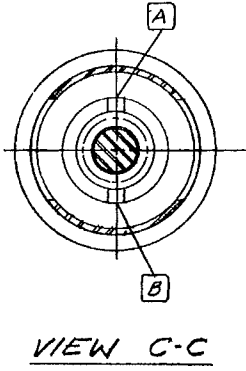
DRAWN BY W.R.C.
CHECKED BY R.A.T.
SCALE: B
DATE 8-6-76

LAWRENCE PUMPS INC.
LAWRENCE, MASS.
DRAWING NUMBER **A 25936**

REVISIONS		
NO.	DESCRIPTION	DATE
4	A+B WAS 3/8" PIPE TAP	11-6-72



- NOTES:
1. [A] 1/2" PIPE TAP - INLET TO LANTERN RING (SEALING WATER 1-2 GPM @ SEE BOX FOR PSIG)
 2. [B] 1/2" PIPE TAP - LANTERN RING CONNECTION (PLUGGED)
 3. PUMP WEIGHT 3600#



SPARE PUMP - SERIAL NO. 54138

AMERICAN ELECTRIC POWER SERVICE CORP
 ORDER NO. 11-041-AXB
 AMOS PLANT

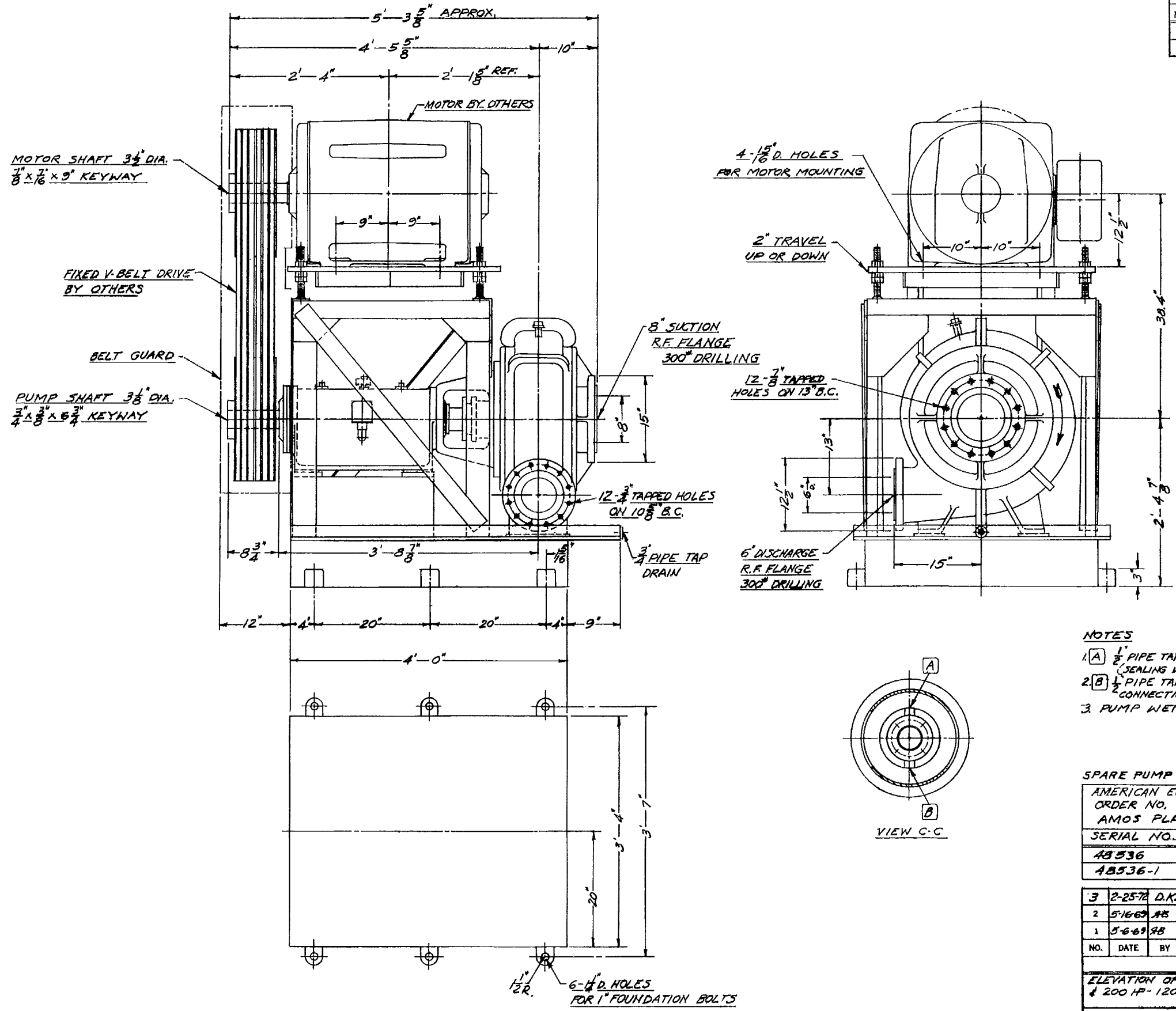
SERIAL NO.	PUMP NO.	UNIT NO.	SEAL-WATER PSIG
48535	1	1	35
48535-1	1	2	35

3	2-25-72	D.K.	NOTES A+B - PIPE TAP WAS 1/4"
2	5-15-69	AB	MOTOR SHAFT DIMEN. & MNT'S HOLES
1	5-6-69	AB	SEALING WATER - PSIG - REV.

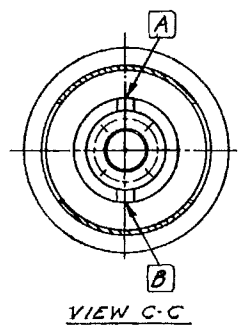
NO.	DATE	BY	DESCRIPTION
REVISIONS			
ELEVATION OF 6" RETRAX LINED SLURRY PUMP & 200 HP-1200 RPM MOTOR, FR. 8158			
DRAWN BY AB		LAWRENCE PUMPS INC.	
CHECKED BY H		LAWRENCE, MASS.	
SCALE: 1" = 1'		DRAWING NUMBER B 22867	
DATE 3-6-69			

B 22842

REVISIONS		
NO.	DESCRIPTION	DATE
4	A & B WAS 3/8 PIPE TAP	11-6-72



- NOTES
- 1/2" PIPE TAP - INLET TO LANTERN RING (SEALING WATER 1-2 GPM @ 50 PSI FOR PSIG)
 - 1/2" PIPE TAP - LANTERN RING CONNECTION (PLUGGED)
 - PUMP WEIGHT 3600



SPARE PUMP - SERIAL NO. 54139

AMERICAN ELECTRIC POWER SERVICE CORP
ORDER NO. 11-041-AXB
AMOS PLANT

SERIAL NO.	PUMP NO.	UNIT NO.	SEAL WATER PSIG
48536	2	1	135
48536-1	2	2	135

3	2-25-72	D.K.	NOTES A & B - PIPE TAP WAS 1/4"
2	5-16-69	AB	MOTOR SHAFT DIMEN & MNTG HOLES
1	5-6-69	AB	SEALING WATER - PSIG - REV.

NO.	DATE	BY	DESCRIPTION
REVISIONS			
ELEVATION OF 6" REFRAX LINED SLURRY PUMP & 200 HP - 1200 RPM MOTOR - FRAME "B155"			
DRAWN BY AB		LAWRENCE PUMPS INC. LAWRENCE, MASS.	
CHECKED BY H			
SCALE: 1" = 12"			
DATE 2-18-69		DRAWING NUMBER B 22842	